



# STANDBY GENERATORS

# 13 kVA

## Air-Cooled Gas Engine Generator Sets

### INCLUDES:

- Tri-lingual Two Line LCD Digital Controller (English/Spanish/French)
- Electronic Governor
- External Main Circuit Breaker & System Status LED
- Flexible Fuel Line Connector
- Composite Mounting Pad
- Natural Gas or LP Gas Operation

**Standby Power Rating**

13 kVA 50Hz



## FEATURES

- **INNOVATIVE DESIGN & PROTOTYPE TESTING** are key components of Generac's success in "IMPROVING POWER BY DESIGN." But it doesn't stop there. Total commitment to component testing, reliability testing, environmental testing, destruction and life testing, allows you to choose Generac with the confidence that these systems will provide superior performance.
- **TEST CRITERIA:**
  - ✓ **PROTOTYPE TESTED**
  - ✓ **MOTOR STARTING ABILITY**
  - ✓ **SYSTEM TORSIONAL TESTED**
- **SOLID-STATE, FREQUENCY COMPENSATED VOLTAGE REGULATION:** This state-of-the-art power maximizing regulation system is standard on all Generac models. It provides optimized FAST RESPONSE to changing load conditions and MAXIMUM MOTOR STARTING CAPABILITY by electronically torque-matching the surge loads to the engine.
- **SINGLE SOURCE SERVICE RESPONSE** from Generac's dealer network provides parts and service know-how for the entire unit, from the engine to the smallest electronic component.

**GENERAC**<sup>®</sup>

# FEATURES

## Generac Standby Generator - 13 kVA

<b>ENGINE</b>	<ul style="list-style-type: none"> <li>•Generac (OHVI) Design</li> <li>•"Spiny-lok" cast iron cylinder walls</li> <li>•Electronic ignition</li> <li>•Full pressure lubrication system</li> <li>•Low oil pressure shutdown system</li> <li>•High temperature shutdown</li> </ul>	<p>Maximizes engine "breathing" for increased fuel efficiency. Plateau honed cylinder walls and plasma moly rings help engine run cooler, reducing oil consumption. Because heat is the primary cause of engine wear, the OHVI has a significantly longer life than competitive engines.</p> <p>Rigid construction and added durability provide long engine life.</p> <p>This assures smooth, quick starting every time.</p> <p>Superior lubrication to all vital bearings means better performance, less maintenance and significantly longer engine life. Now featuring a 2 year/200 hour oil change interval.</p> <p>Superior shutdown protection prevents catastrophic engine damage due to low oil.</p> <p>Prevents damage due to overheating.</p>
<b>GENERATOR</b>	<ul style="list-style-type: none"> <li>•Revolving field</li> <li>•Skewed stator</li> <li>•Displaced phase excitation</li> <li>•Automatic voltage regulation</li> </ul>	<p>Allows for smaller, light weight unit that operates 25% more efficiently than a revolving armature generator.</p> <p>Produces a smooth output waveform for compatibility with electronic equipment.</p> <p>Maximizes motor starting capability.</p> <p>Regulates the output voltage to <math>\pm 2\%</math> prevents damaging voltage spikes.</p>
<b>CONTROLS</b>	<ul style="list-style-type: none"> <li>•Manual/Auto/Off switch</li> <li>•Utility voltage sensing</li> <li>•Utility interrupt delay</li> <li>•Engine warm-up</li> <li>•Engine cool-down</li> <li>•Seven day exerciser</li> <li>•Trickle Battery charger</li> <li>•Main Line Circuit Breaker</li> <li>•Electronic governor</li> </ul>	<p>Selects the operating mode.</p> <p>Constantly monitors utility voltage, setpoints 65% dropout, 75% pick-up, of standard voltage.</p> <p>Prevents nuisance start-ups of the engine, adjustable 10-30 seconds.</p> <p>Ensures engine is ready to assume the load, setpoint approximately 10 seconds.</p> <p>Allows engine to cool prior to shutdown, setpoint approximately 1 minute.</p> <p>Operates engine to prevent oil seal drying and damage between power outages.</p> <p>Maintains battery charge level to insure starting.</p> <p>Protects generator from overload.</p> <p>Maintains constant 50 Hz frequency.</p>
<b>UNIT</b>	<ul style="list-style-type: none"> <li>•Weather protective enclosure</li> <li>•Enclosed critical grade muffler</li> <li>•Small, compact, attractive</li> </ul>	<p>Ensures protection against mother nature. Hinged key locking roof panel for security. Lift-out front for easy access to all routine maintenance items. Electrostatically applied textured epoxy paint for added durability.</p> <p>Quiet, critical grade muffler is mounted inside the unit to prevent injuries.</p> <p>Makes for an easy, eye appealing installation.</p>
<b>INSTALLATION SYSTEM</b>	<ul style="list-style-type: none"> <li>•1' Flexible Fuel Line Connector</li> <li>•Composite Mounting Pad</li> </ul>	<p>Easy Installation</p>

# SPECIFICATIONS

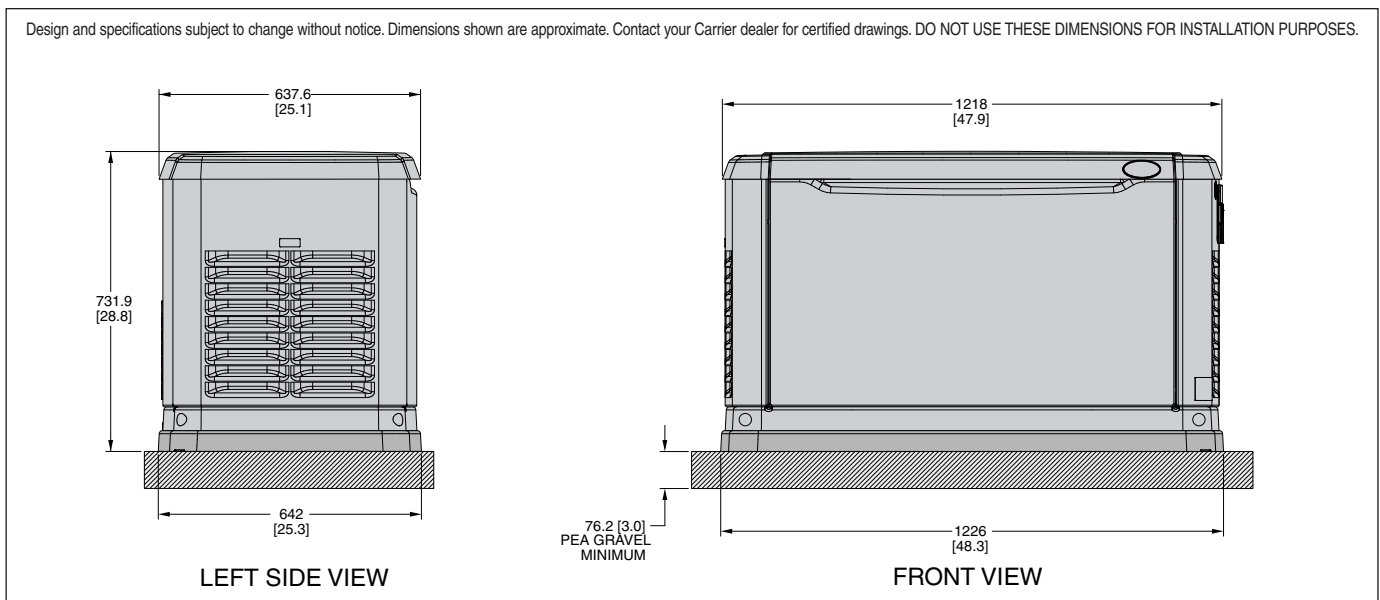
**GENERAC®**

GENERATOR		Model (13 kVA)
Rated Maximum Continuous Power Capacity (LP)		13,000 Watts*
Rated Maximum Continuous Power Capacity (NG)		13,000 Watts**
Rated Voltage		110/220
Rated Maximum Continuous Load Current 220 Volts, Single Phase		59 LP/59 NG
Main Line Circuit Breaker		65 Amp
Phase		1
Number of Rotor Poles		2
Rated AC Frequency		50Hz
Power Factor		1
Battery Requirement (not included)		Group 26 12 Volts and 525 Cold-cranking Amperes Minimum
Unit Weight (Pounds/Kilograms)		445/201.8
Dimensions L x W x H (Inches/Millimeters)		48 x 25 x 29/1218 x 638 x 732
ENGINE		Model (13 kVA)
Type of Engine		GENERAC OHVI V-TWIN
Number of Cylinders		2
Displacement		992cc
Cylinder Block		Aluminum w/Cast Iron Sleeve
Valve Arrangement		Overhead Valve
Ignition System		Solid-state Magneto
Governor System		Electronic
Compression Ratio		9.5:1
Starter		12 Vdc
Oil Capacity Including Filter (Quarts/Liters)		1.9/1.8
Operating RPM		3,000
Fuel Consumption		
Natural Gas	cu.ft./hr. (cu.meters/hr.)	
	1/2 Load	
	Full Load	183 (5.18)
Liquid Propane	cu.ft./hr (gal/hr)/cu.meters/hr. (liters/hr.)	
	1/2 Load	59 (1.61)/1.67 (6.1)
	Full Load	94 (2.57)/2.66 (9.7)
*Required fuel pressure to generator fuel inlet at all load ranges - 5 to 7 inches of water column for natural gas, 11 to 14 inches of water column for LP gas		
**Outputs are based upon natural gas value @ 1000 Btu per cubic feet and 2520 Btu per cubic feet with LP @ 28.32 Btu per cubic meter and 71.36 Btu per cubic meter with LP		
CONTROLS		
2-Line Plain Text LCD Display		Simple user interface for ease of operation
Mode Switch		
-Auto		Automatic Start on Utility failure. 7 day exerciser
-Off		Stops unit. Power is removed. Control and charger still operate.
-Manual/Test (start)		Start with starter control, unit stays on. If utility fails, transfer to load takes place.
Engine Start Sequence		Cyclic cranking: 16 sec. on, 7 rest (90 sec. maximum duration)
Engine Warm-up		10 seconds
Engine Cool-Down		1 minute
Starter Lock-out		Starter cannot re-engage until 5 sec. after engine has stopped.
2.5 Amp Trickle Battery Charger		Standard
Automatic Voltage Regulator w/Overvoltage Protection		Standard
Automatic Low Oil Pressure Shutdown		Standard
Overspeed Shutdown		Standard, 60Hz
High Temperature Shutdown		Standard
Overcrank Protection		Standard
Safety Fuse		Standard

Rating definitions - All ratings in accordance with BS5514, ISO3046 and DIN6271. \* Maximum wattage and current are subject to and limited by such factors as fuel Btu content, ambient temperature, altitude, engine power and condition, etc.

Maximum power decreases about 3.5 percent for each 1,000 feet (304.8 meters) above sea level; and also will decrease about 1 percent for each 12° C (10° F) above 15.5° C (60° F).

# Generac Standby Generator - 13 kVA



Generac Power Systems, Inc. • S45 W29290 HWY. 59, Waukesha, WI 53189 • generac.com

©2009 Generac Power Systems, Inc. All rights reserved. All specifications are subject to change without notice. Bulletin 0182240SBY/Printed in U.S.A. 04.09, rev: 05.09